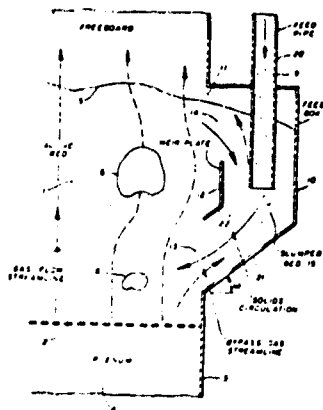


A fluidized bed for the combustion of coal, with limestone, is replenished with crushed coal from a system discharging the coal laterally from a station below the surface level of the bed. A compartment, or feed box, is mounted at one side of the bed and its interior separated from the bed by a weir plate beneath which the coal flows laterally into the bed while bed material is received into the compartment above the plate to maintain a predetermined minimum level of material in the compartment.

4335661

FLUIDIZED BED HEAT EXCHANGER HAVING AN AIR ASSISTED BED DRAIN

Robert D. Stewart; Thomas E. Taylor; assigned to Foster Wheeler Energy Corporation

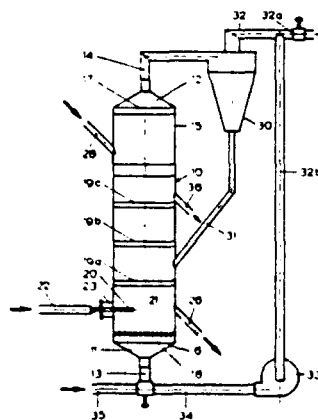


A fluidized bed heat exchanger in which a perforated plate is disposed within a housing for supporting a bed of particulate material. Air is passed through the plate to fluidize the particulate material and nozzles are provided for distributing air across the inlet end of a drain pipe for the spent particulate material to insure a continuous draining of the material.

4334898

DEVICE FOR THE PRODUCTION OF SOLID ALUMINUM CHLORIDE

Gerhard Zhuber-Okrog; Ernst Kowolik; Haspeter Alder; Hans P. Mueller; assigned to Swiss Aluminium Ltd



A device for producing solid aluminum chloride from gas containing gaseous aluminum chloride by means of a fluidized bed condenser. Between the inlet pipe for carrier gas and an outlet pipe for residual or waste gas there is a distributor plate with openings in the form of nozzles, at least one cooling facility, a feeding facility for the supply of gas containing gaseous aluminum chloride and a facility for drawing off the solid aluminum chloride. The outlet pipe for waste or residual gas is connected to the inlet pipe for carrier gas via a separator which separates out fine particulate aluminum chloride, which is then fed back to the bed to act as nuclei.

4334056

METHOD FOR POLYTROPICALLY PRECIPITATING POLYAMIDE POWDER COATING COMPOSITIONS WHERE THE POLYAMIDES HAVE AT LEAST 10 ALIPHATICALLY BOUND CARBON ATOMS PER CARBONAMIDE GROUP